



Y71AA Conversion Kit

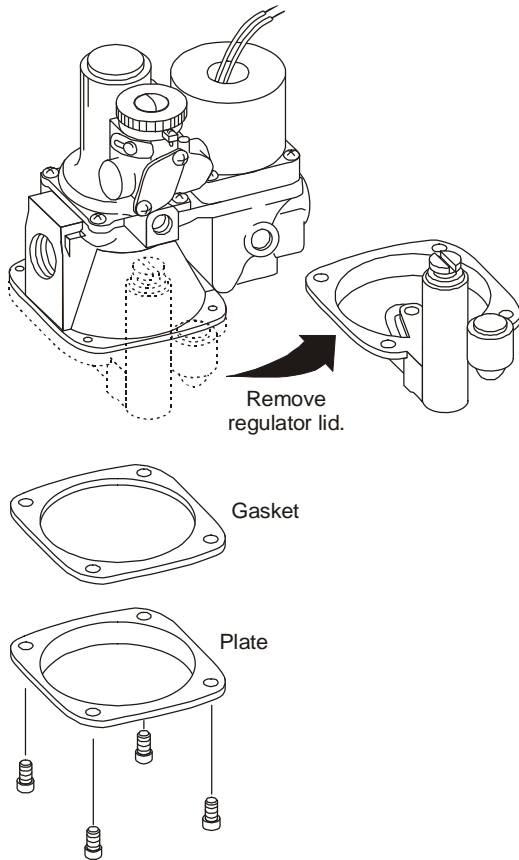


Figure 1: Y71AA Conversion Kit

Applications

The Y71AA conversion kit allows the field conversion of a regulating valve to a non-regulating valve.

The conversion kit contains the following:

- 1 blank plate
- 1 gasket
- 4 self-tapping mounting screws

Installation

IMPORTANT: Only qualified personnel should install or service BASO® Gas Products. These instructions are a guide for such personnel. Carefully follow all instructions in this document and all instructions for the appliance.

IMPORTANT: Make all gas installations in accordance with applicable local, national, and regional regulations.

CAUTION: Risk of Electric Shock.
Disconnect power supply before making electrical connections to avoid electric shock.

WARNING: Risk of Explosion or Fire.
Shut off the gas supply at the main manual shutoff valve before installing or servicing the valve. Failure to shut off the gas supply can result in the release of gas during installation or servicing, which can lead to an explosion or fire, and may result in severe personal injury or death.

To install the Y71AA conversion kit into the gas valve:

1. Shut off the power to the appliance.
2. Shut off the gas supply at the main manual shutoff valve.
3. Remove the screws holding the regulator lid to the valve. Support the regulator lid while removing the screws to prevent tearing the valve's diaphragm.



WARNING: Risk of Explosion or Fire. Do not damage the regulator diaphragm if it is necessary to replace the original gasket. Improper installation or damage to the regulator diaphragm may result in gas leaks, which can lead to an explosion or fire and may result in severe personal injury or death.

4. Carefully remove the regulator lid while gently freeing it from the diaphragm and gasket. If the gasket is damaged, carefully separate the gasket from the diaphragm and use the new gasket provided in the kit.
5. Use the original screws, or the screws provided in the kit, to fasten the plate in position over the diaphragm and gasket. Ensure the diaphragm is smooth and not wrinkled at the mating surfaces.
6. Tighten the screws sufficiently to compress the gasket. The regulator will be held open by the plate.
7. Turn on the gas and electrical power supply. Check for gas leaks using a soap solution.
8. Perform the *Checkout* section before leaving the installation.

Setup and Adjustments

Checkout



WARNING: Risk of Explosion or Fire.

Follow this or an equivalent checkout procedure after installation. Before leaving the installation, verify that the gas valve functions properly and that the system has no gas leaks. Gas leaks can lead to an explosion or fire, and may result in severe personal injury or death.

Make sure all components are functioning properly by performing the following test.

1. Open the main manual shutoff valve.
2. Test all joints and connections for leaks with a soap solution.
3. Close the main manual shutoff valve and wait at least 5 minutes for unburned gas to escape from the appliance, and then reopen the shutoff valve.
4. Turn on the main electrical power switch and close the thermostat contacts. The appliance should operate in accordance with the manufacturer's specified sequence of operation.
5. Turn the thermostat to a low dial setting to open the contacts. All burner flames should be extinguished. Repeat Steps 3 and 4 at least three times.
6. Return the thermostat to a normal setting before leaving the installation.

Performance specifications are nominal and conform to acceptable industry standards. All agency certification of BASO products is performed under dry and controlled indoor environmental conditions. Use of BASO products beyond these conditions is not recommended and may void the warranty. Product must be protected if exposed to water (dripping, spraying, rain, etc.) or other harsh environments. The original equipment manufacturer or end user is responsible for the correct application of BASO products. Consult BASO Gas Products LLC for questionable applications. BASO Gas Products LLC shall not be liable for damages or product malfunctions resulting from misapplication or misuse of its products.

Refer to the *Y71/GM-70 Regulator Conversion Kits Product Bulletin (BASO-PB-Y71/GM)* for necessary information on operating and performance specifications for this product.



BASO Gas Products LLC

1007 South 12th Street
PO Box 170
Watertown, WI 53094
1-877-227-6427 (1-877-BASOGAS)

www.baso.com
Published in U.S.A.