

## Series Q90 Ignition Pilot Kits

### **Application**

The Q90 pilot kits are designed specifically for replacement of certain ignition pilots on various appliances. Refer to the specifications below for proper pilot kit selection and contents.

**Table 1: Specifications**

PILOT KIT NUMBER	PILOT BURNER NUMBER	SENSOR PROBE NUMBER	SENSOR LEAD NUMBER	APPLIANCE MANUFACTURER	TYPE OF APPLIANCE/ WHERE USED
Q90AA-1	J989EKW-7721	Y75AA-8		Lennox	Residential Furnace
Q90BB-1	J996DKW-7723	Y75AA-3	Y57JH-27	Carrier-BDP	Residential Furnace
Q90CC-1	J986HXW-7221*	Integral Part of Pilot		Reznor	Unit Heater
Q90DD-1	J993HHW-6221	Integral Part of Pilot	Y57HH-36	Reznor	Rooftop
Q90EA-1	J995DHW-6718	Y75AA-8		Friedrich	Residential Furnace

\*J986HXW-7221 also replaces J992HXW-7221. (J986 has Rajah terminal and boot, J992 does not.)

### **Installation and Wiring**



**WARNING: SHOCK HAZARD:** Avoid electrical shock or equipment damage by disconnecting the electrical power supply before wiring the system.

**EXPLOSION HAZARD:** Avoid possible injury by shutting off all gas to the appliance using the shutoff valve in the gas supply line before loosening any gas connections.

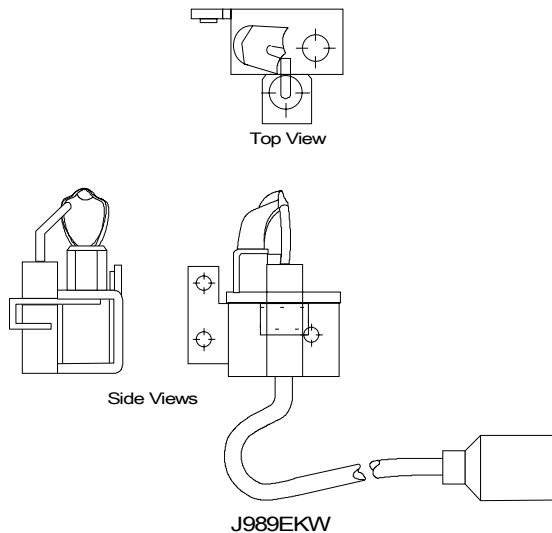
These instructions are for the electrode pilot installation only. Figures 1 through 5 show views of each pilot kit.

1. Disconnect the pilot tubing.
2. Disconnect ignition wire and sensor wire.
3. Remove the pilot burner mounting screws.
4. Screw the sensing probe into the pilot bracket. Make sure the fitting is screwed completely into the bracket.
5. Install the selected replacement pilot using the screws that were holding the old unit. Make sure the screws are tight and secure.
6. Reconnect the pilot tubing.
7. Connect the sensing probe lead to the male spade connector on the probe.
8. Connect ignition wire to transformer terminal on ignition control.
9. Check for leaks and observe at least three complete operating cycles to make sure all components are functioning properly.

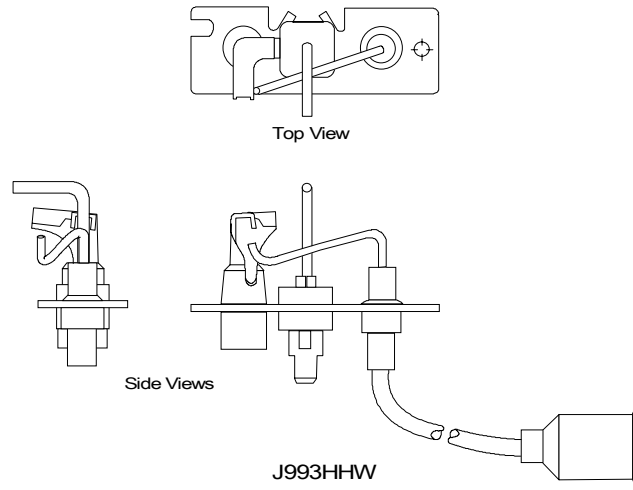
---

**Repairs and  
Replacement**

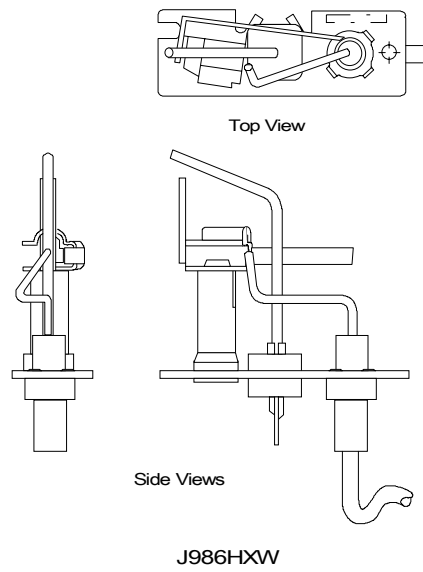
Do not attempt field repairs. For a replacement pilot, sensing probe, or sensor lead, order the correct Q90 pilot kit by contacting the nearest Johnson Controls wholesaler.



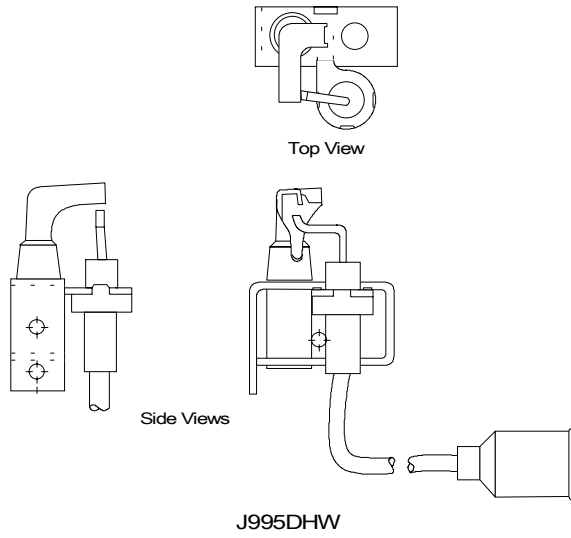
**Figure 1: J989EKW**



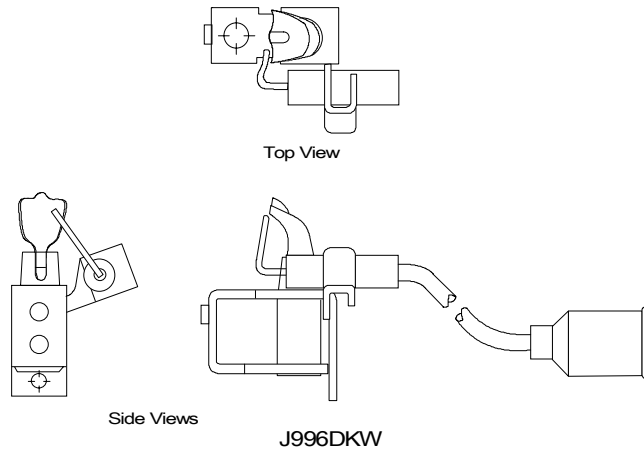
**Figure 2: J993HHW**



**Figure 3: J986HXW**



**Figure 4: J995DHW**



**Figure 5: J996DKW**

**JOHNSON  
CONTROLS**

Controls Group  
507 E. Michigan Street  
P.O. Box 423  
Milwaukee, WI 53201

FAN 121  
Installation Sheet Manual  
Printed in U.S.A.