



GM-70-CBP Conversion Kit

Installation

The GM-70-CBP conversion kit allows the field conversion of a regulating valve to a non-regulating valve.

Parts Included

The conversion kit contains the following:

- 1 blank plate
- 1 gasket
- 4 self-tapping mounting screws

IMPORTANT: These instructions are intended as a guide for qualified personnel installing or servicing BASO® Gas Products. Carefully follow all instructions in this bulletin and all instructions on the appliance. Limit repairs, adjustments, and servicing to the operations listed in this document or on the appliance.



WARNING: Shock Hazard.

Avoid electrical shock and equipment damage. Disconnect electrical power and turn off the gas before any wiring connections are broken.

To install the GM-70-CBP conversion kit into the gas valve:

1. Shut off the power to the appliance.
2. Shut off the gas supply at the main manual shutoff valve.
3. Remove the screws holding the regulator lid to the valve. Support the regulator lid while removing the screws.
4. Remove the regulator lid, freeing it from gasket and diaphragm.

5. Separate the gasket from the diaphragm and discard.
6. Remove the diaphragm assembly by pulling the stem away from the valve body. The valve stem, aluminum diaphragm plate, and the diaphragm pulls away as one assembly. Discard the diaphragm assembly.
7. Clean the area that the new gasket will mate to on the valve body.
8. Use the original screws, or the screws provided in the kit, to fasten the new gasket and plate to the valve body.
9. Tighten the screws sufficiently to compress the gasket.
10. Turn on the gas and electrical power supply. Check for gas leaks using a soap solution.

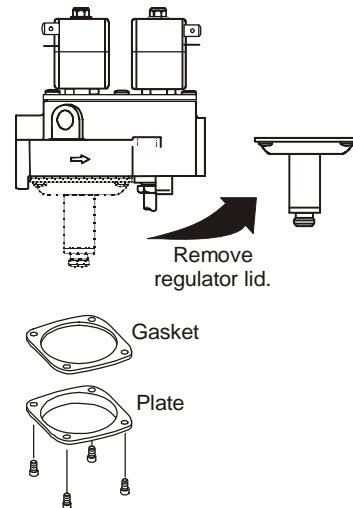


Figure 1: GM-70-CBP Conversion Kit