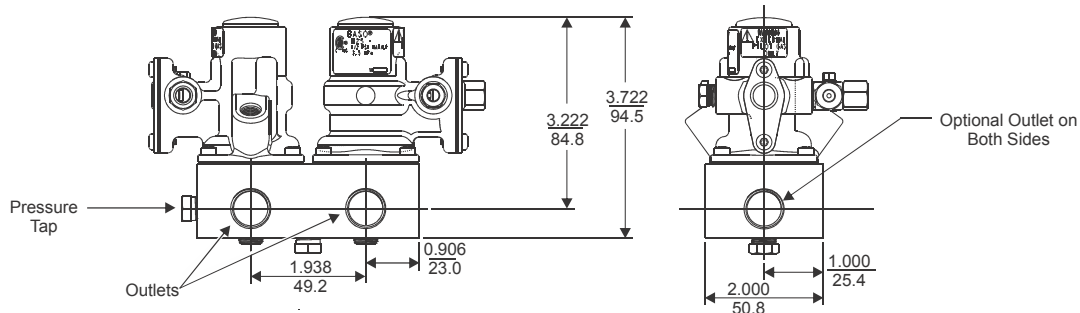


new

H25 Series Dual Independent Outlets 100% Automatic Shut-off Pilot Safety Valve



Description:

- The H25 Series valve is designed to be used in applications where you can control two independent burners with one input.
- Both outputs are controlled by two independent flame supervised safety shut-off valves.
- Applications for this valve are in commercial cooking, heating equipment and other applications where controlling two independent burners are a necessity for heat control.
- Mounting of the valve can be in any convenient position.
- Optional 3/8" or 1/2" side porting available (contact BASO for more information).
- BASO recommends using only BASO thermocouples that come from the original equipment manufacturer to provide optimum performance for your safety shut-off valve.

Specifications:

- **Pressure rating:** 0.5 psi (3.5kPa)
- **Ambient surface temperatures:** -30 to 175° F for Models H25_A or H25_B.
32 to 300° F for Models H25_C or H25_D.
- **Inlet and Outlet body connections:** 3/8-18 NPT, 3/8-19 BSPT; 1/2-14 NPT, 1/2-14 BSPT
- **Pilot connections:** 1/8-27 NPT or compression for tubing sizes 1/8" to 1/4", also available with pilot adjustment.
- **Flow Capacity @ 1.0" wc pressure drop:**
 - 3/8" NPT or BSPT 178,000 single port or 329,000 dual port
 - 1/2" NPT or BSPT 189,000 single port or 374,000 dual port
- **Types of gases:** Natural, liquefied petroleum (LP), and LP gas-air mixtures.

Agency: CSA (AGA/CGA) 229521-1656080



BASO Gas Products LLC

BASO® Gas Products LLC
450 East Horseshoe Road • Watertown, WI 53094
1.877.BASO-Gas (1.877.227.6427) • Fax: 920.261.3878
www.BASO.com

© Copyright 2018 BASO® Gas Products LLC. All rights reserved.

