



Inlet/Outlet Flange Kits

Application

These flanges are used on the BGD258, BGD278, BGE258, BGE278, BGF358 and BGF378 Series gas valves. They currently are configured for straight or 90° elbow connections. BASO offers replacement kits for Honeywell VK series only.

Flange kits for BASO gas valves will contain one flange with an o-ring and two sets of screws M4 and 8-32. These kits are not supplied with the 9/64 hex Allen wrench or T20 torx driver. See Table 2 for part numbers and cross reference.

Installation

1. Use only approved trained service technicians to replace service components.
2. Always review the o-rings for damage. Replace o-ring when replacing flanges.
3. Ensure the o-ring is seated in the groove before assembling the flange to the valve.
4. Recommended torque is 20 in/lbs. maximum. Do not over-tighten.

Note: If the valves are not tapped, use the M4 thread forming screws from the kit. If the holes are tapped, use the appropriate screw thread from the kit to secure the flange in place.

5. Thread pipe (the amount shown in Table 1) for insertion into the flange. Do not thread the pipe too far. Flange distortion or fracturing may result if the pipe is inserted too deeply.

Table 1: NPT Pipe Thread Length into Valve

Pipe Size (NPT)	Thread Pipe Amount (in.)	Maximum Depth Pipe (in.)
3/8	1/2	3/8
1/2	3/4	1/2

6. For any threaded connections, threads of pipe and nipples must be smooth and free of tears and burrs. Steam clean all piping inside diameter to remove foreign substances such as cutting oil or thread chips before installing into the valve. Apply a moderate amount of good quality pipe compound (do not use Teflon tape) to pipe only, leaving two end threads bare (see Figure 1). On LP in use compound resistant to LP gas.

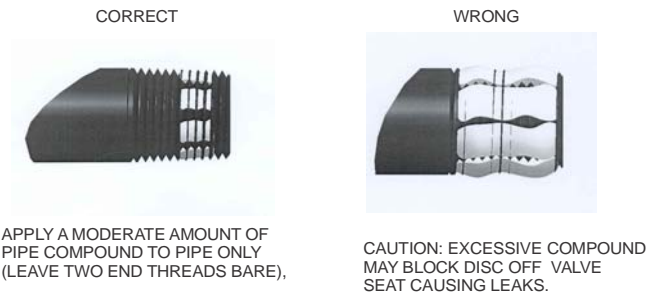


Figure 1: Use a Moderate Amount of Pipe Compound

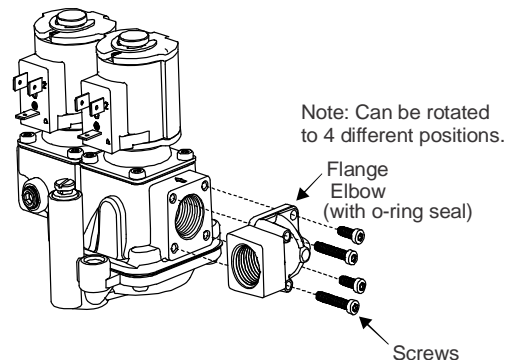


Figure 2: BGD258/BGD278 Series

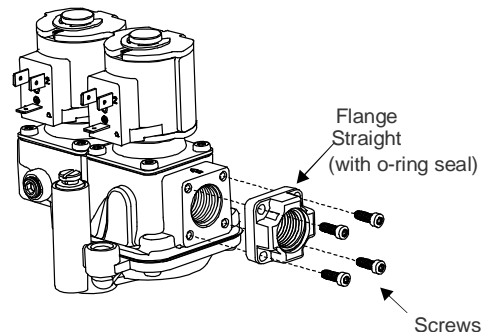


Figure 3: BGD258/BGD278 Series

Final Checkout



WARNING: Risk of Explosion or Fire.

Follow this check out leak test before leaving the installation. Verify the control valve functions properly and that the system has no leaks. Gas leaks can lead to an explosion or fire and may result in severe personal injury or death.

1. After system piping is complete, perform a gas leak test. Ensure to test joints and between flange on the control valve with a rich soap and water solution.

Table 2: Selection Chart

BASO Part Number	Inlet/Outlet Pipe Size	Flange Type	Hardware	Replaces Honeywell	Will Not Replace Honeywell
*KTS38N-1H (-1D)	3/8-18 NPT	Straight	Included M4	393690-1 or 393690-11	N/A
*KTE38N-1H (-1D)	3/8-18 NPT	Elbow	Included M4	N/A	393690-2 or 393690-12
*KTS50N-1H (-1D)	1/2-14 NPT	Straight	Included M4	393690-6 or 393690-16	N/A
*KTE50N-1H (-1D)	1/2-14 NPT	Elbow	Included M4	N/A	393690-3 or 393690-13
KTS38B-1H (-1D)	3/8-19 BSPT	Straight	Included M4	N/A	N/A
KTE38B-1H (-1D)	3/8-19 BSPT	Elbow	Included M4	N/A	N/A
KTS50B-1H (-1D)	1/2-14 BSPT	Straight	Included M4	NA/	N/A
KTE50B-1H (-1D)	1/2-14 BSPT	Elbow	Included M4	N/A	N/A

Replacement o-ring kit part number KTRNG61-118H.

Can be purchase in H = single pack or D = bulk pack.

Note:

The BASO flange hole pattern will not match the Honeywell VR Series.

The Honeywell VK Series hole pattern will match the BASO flanges.

* These kits will include self tap torx M4 and socket head cap screw 8-32 for Honeywell replacement.

Note: If holes are not tapped in the BGD258, BGD278, BGE258, BGE278, BGF358 or BGF378 casting, the kits have self-tapping M4 screws.

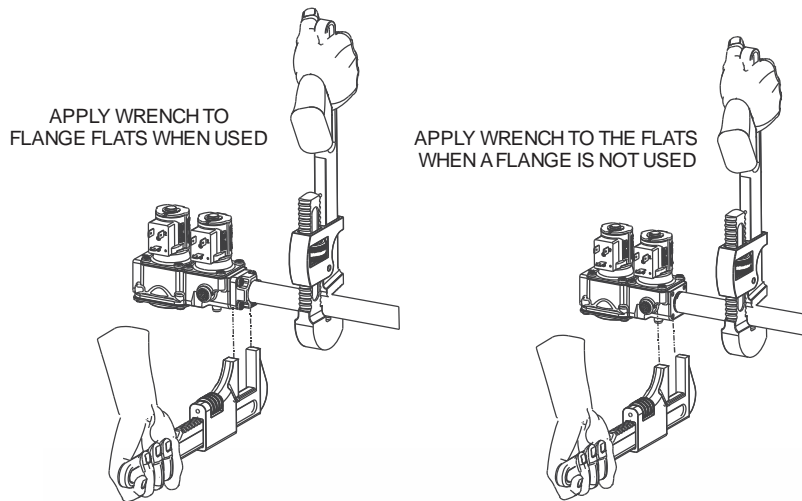


Figure 4: BGD258/BGD278/BGE258/BGE278/BGF358/BGF378 Series

450 East Horseshoe Road
PO Box 170
Watertown, WI 53094
1-877-227-6427 (1-877-BASOGAS)

www.baso.com
Published in U.S.A.