



Y99HY Series Needle Valve

Application

The Y99HY Series needle valve with shutoff capabilities allows for pressure up to 50 psi (0.34 MPa). Typical applications include any high pressure pilot control gas or pneumatic equipment.

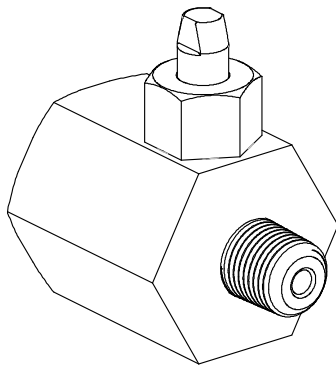


Figure 1: Y99HY Needle Valve

Installation

IMPORTANT: Only qualified personnel should install or service BASO® Gas Products products. These instructions are a guide for such personnel. Carefully follow all instructions in this document and all instructions for the appliance.

IMPORTANT: Make all gas installation in accordance with applicable local, national, and regional regulations.

IMPORTANT: Verify that the valve is installed only in applications where the specified maximum ambient (surface) temperature and maximum operating pressure does not exceed the limits in the *Technical Specifications* sections.

To install the Y99HY series valve:

1. Shut off power to the appliance (if applicable).
2. Shut off the gas at the main manual shutoff valve.
3. The gas flow is bi-directional in this valve.
4. Installer must be a trained, experienced, flame safeguard control technician. Threads of the pipe and nipples must be smooth and free of tears and burrs. Steam clean all piping to remove foreign substances such as cutting oil or thread chips. A sediment trap should also be installed in accordance with the National Fuel Gas Code (NFPA 54). Mount the valve to the pipework, use a quality rated pipe tape, UL listed seal material rated for gasoline, propane, and other gases. If not available, a quality grade pipe dope, a light amount on the male threads, starting two threads away from the first engaging thread. If pipe dope lodges on the valve seat, it will prevent proper closure. Remove excess compound after mounting the valve to the pipework.
5. The Y99HY valve can be mounted on a horizontal or vertical around any 360° axis.



WARNING: Risk of Explosion or Fire.

Verify that there are no gas leaks by testing with appropriate equipment. Never use a match or lighter to test for the presence of gas. Failure to test properly can lead to an explosion or fire and may result in severe personal injury or death.

6. Check for leakage.

Checkout



WARNING: Risk of Explosion or Fire.

Follow this or an equivalent checkout procedure after installation. Before leaving the installation, verify that the gas valve functions properly and that the system has no gas leaks. Gas leaks can lead to an explosion or fire, and may result in severe personal injury or death.

Make sure all components are functioning properly by performing the following test.

1. Test all joints and connections for leaks with a rich soap and water solution.
2. Close the main upstream shutoff valve and wait at least 5 minutes for unburned gas to escape from the appliance, and then reopen the valve.

Note: If used with the BASO H19 high pressure valve, continue through 6.

IMPORTANT: When the reset button is depressed, gas flows to both the main and pilot burners on valves without the flow interruption feature.

3. Push the reset button on the H19 high pressure valve and light the pilot burner. Continue to hold the reset button for 30 to 45 seconds or until the pilot burner flame continues to burn when the button is released.

IMPORTANT: Pilot burners cannot be used without suitable high pressure valve.

4. Extinguish the burner by closing the main upstream manual shutoff valve. Verify that the valve drops out within 90 seconds.
5. Relight the pilot burner.
6. Observe at least three complete operating cycles to make sure that all components are functioning properly.

Technical Specifications

Product	Y99HY Series Shutoff Valve
Types of Gas	2nd (Natural Gas) or 3rd (LP Gas) Family Gases
Permissible Ambient (Surface) Temperature	-40 to 175°F (-40 to 79°C)
Maximum Operating Pressure	50 psi (0.34 MPa)
Inlet Pipe Size	1/8 or 1/4 NPT
Outlet Pipe Size	1/8 or 1/4 NPT
Operating Time Rating	100% Continuous
Packaging	Bulk pack supplied to original equipment manufacturer (individual pack optional)
Bulk Pack Quantity	20 per carton
Bulk Pack Weight	
Agency Listing	CSA Certificate Number 229521-70067751
Specification Standards	UL 125

Performance specifications are nominal and conform to acceptable industry standards. All agency certification of BASO products is performed under dry and controlled indoor environmental conditions. Use of BASO products beyond these conditions is not recommended and may void the warranty. Product must be protected if exposed to water (dripping, spraying, rain, etc.) or other harsh environments. The original equipment manufacturer or end user is responsible for the correct application of BASO products. Consult BASO Gas Products LLC for questionable applications. BASO Gas Products LLC shall not be liable for damages or product malfunctions resulting from misapplication or misuse of its products.



BASO Gas Products LLC

1007 South 12th Street
PO Box 170
Watertown, WI 53094
1-877-227-6427 (1-877-BASOGAS)

www.baso.com
Published in U.S.A.