



BR Series Regulators

The BR series is a poppet-style regulator designed for main and pilot line loads. Typical applications are commercial cooking, wall furnace, agricultural heaters and other heating equipment. The BR series regulator will work with natural, LP, or LP mixed gas at pressures up to 0.5 psi (35 mbar).



Figure 1: BR Regulator

Specifications

- Maximum inlet pressure: 0.5 psi (3.4 KPa)
- Inlet/outlet size 1/2 or 3/8 NPT
- Permissible ambient (surface) temperature: -4° to 230°F (-20° to 110°C)
- Emergency exposure limits: 2.5 psi (17.2 KPa)
- Outlet Pressure: Natural 4", LP 10"
- Mounting Position: Multipoise

Agency Listing

- CSA (AGR/CGA) Certificate Number 271152-70157746

Selection Chart

Part Number	Inlet/Outlet Size
BR4E9C-1C	1/2 x 1/2 NPT
BR309C-1C	3/8 x 3/8 NPT

Contact BASO for availability.

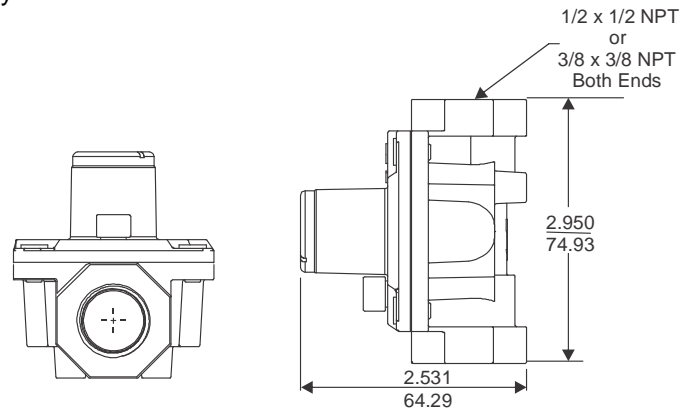


Figure 2: Dimensions

BR Series Regulators